

**A0620016 Salzburg-T1R RGB**  
1x 3W RGB-in-one Beam angle: 30°

**Technical specifications:**

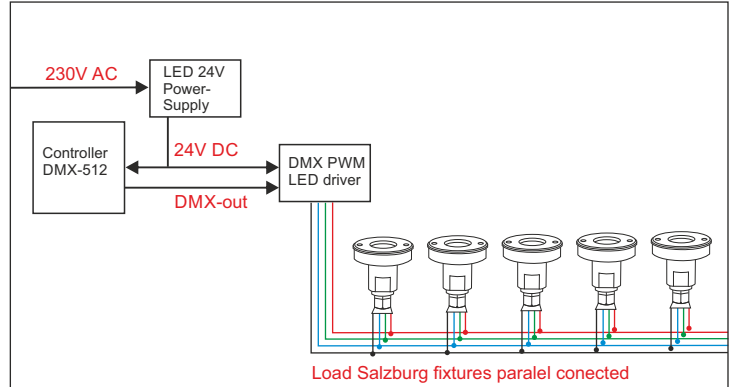
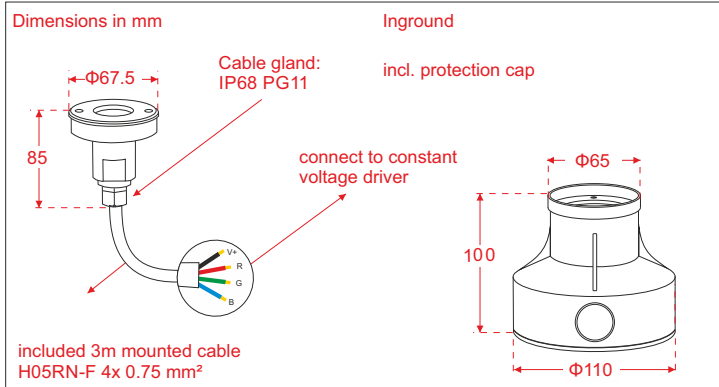
Ring: 316T (Titanium) stainless steel  
 Housing: molding shaped 303 stainless steel  
 Glass: 8mm step tempered glass  
 Loading: Ø10mm / 1130Kg  
 Lens: optical lens, efficiency < 85%  
 Cable gland: IP-68 PG-9 copper & nickel coated  
 LED: 3W type high power LED RGB-in-one  
 Typical consumption: 4,5W  
 Lumen output: 56Lm  
 IK rate: 06  
 PCB: conductive aluminium, Heat conductivity < 2.0W/mk  
 Water depth: max. 1mtr.  
 Power cable: 3 mtr HO5RN-F 4x0.75mm²  
 Mounting sleeve: ABS + stainless steel



Attention: This high power LED fixture must be installed under water

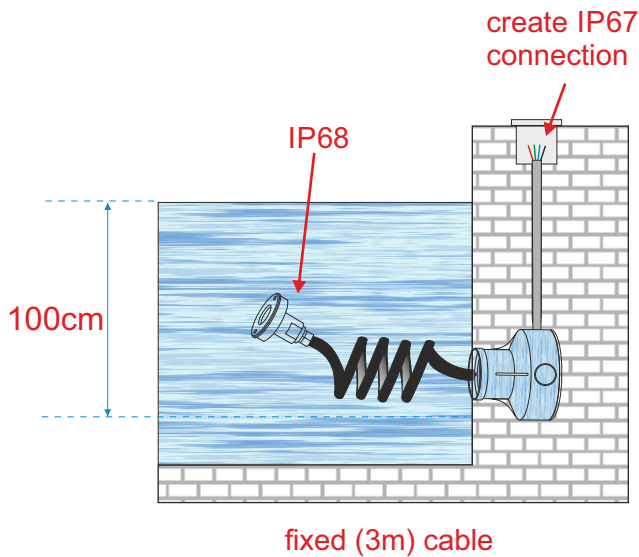
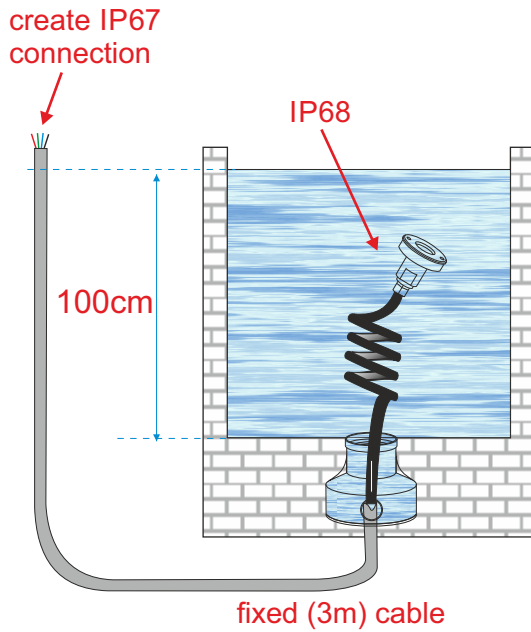
|      |           |           |       |           |                |           |
|------|-----------|-----------|-------|-----------|----------------|-----------|
| KG   | Voltage   | Class     | IP-68 | LED-Power | 30°            | IES-File  |
| 0.59 | 12-24V DC | Class III | IP-68 | 1x 3W     | Symm. LED-Lens | available |

**IP68**  
UNDERWATER RATED



## Underwater Lights

max. underwater depth: 100cm



**Notes:**

1. Luminaire (IP68) must be operated below water surface
2. Luminaire (IP68) can not be installed under 100cm below water surface
3. Powersupply (IP20) & Controller(IP20) must be mounted in dry environment
4. The cable connection between fixture and mounting box is IP68
5. The connection at the cable end must be under water IP68 and above water IP67

**Bitte beachten:**

1. Armatur (IP68) sollte unter wasser betrieben werden
2. Armatur (IP68) nicht tiefer als 100cm unter wasser montieren
3. LED-Treiber (IP20) & Kontrolller (IP20) in trockene Umgebung montieren
4. Die kabelverbindung zwischen Armatur und Anschlusskabel ist IP68
5. Kabelverbindungen unter Wasser IP68, Kabelverbindungen über Wasser IP67

**Attentie:**

1. Armatuur (IP68) alleen onder water gebruiken
2. Armatuur (IP68) niet dieper als 100cm onder water monteren
3. LED-driver (IP20) & controller (IP20) in vochtvrije omgeving monteren
4. De kabelverbinding tussen armatuur en aansluitkabel is IP68
5. Kabelverbindingen onder water IP68, kabelverbindingen boven water IP67

**Attention:**

1. Utiliser le luminaire (IP68) uniquement sous eau
2. Ne pas installer le luminaire (IP68) immergé à plus de 100cm
3. Installer le LED-driver (IP20) ainsi que le contrôleur (IP20) dans un environnement sec
4. La connexion entre le luminaire et le câble est de niveau IP68
5. Les connexions immergées sont IP68, les connexions non-immersées sont IP67